



G4 THERMOPRO™ ONE GALLON COFFEE BREWERS

MODELS: G4TP1T10A3100, G4TP1S63A3100



G4TP1S63A3100
Single Coffee Brewer
With 1.0 Gallon TXSG0101S600
Without Base
(Dispenser Sold Separately)



G4TP1T10A3100
Twin Coffee Brewer
With 1.0 Gallon TXSG0101S600
Without Base
(Dispensers Sold Separately)



TFT1G
1.0 Gallon Dispenser with FreshTrac™ Lid



TXSG0101S600
1.0 Gallon Dispenser

ITEM NO

PROJECT

DATE

BREWER FEATURES

- Large, 4.3" touch screen.
- **Icon-Driven Interface** — Streamlines and simplifies operation.
- **Real Time Feedback** — Of the brewing process helps eliminate user error.
- **Built-in Self Diagnostic System** — Alerts operator of system failure and when the machine is in need of preventive maintenance.
- **Energy Saving Mode** — Easily customizable to specific needs and applications.

DISPENSER FEATURES

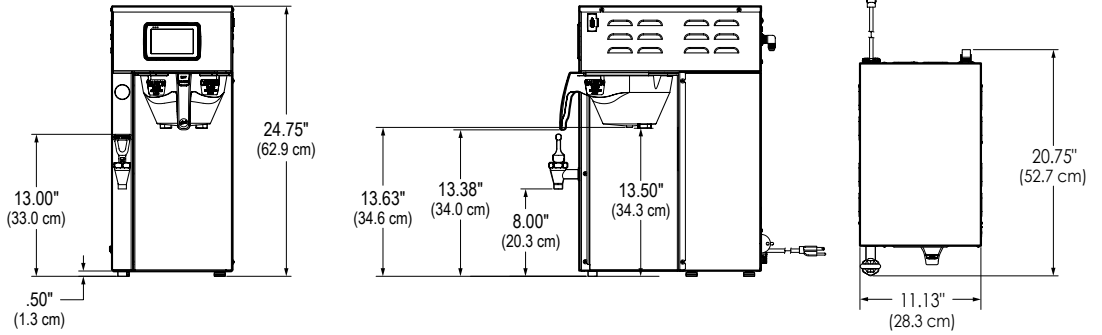
- Use with Curtis ThermoPro™ One Gallon Server(s).
- Gourmet flavor, freshness, and temperature are locked in with stainless-steel vacuum-sealed servers.
- To use with TLXA0101S000 one gallon airpot, brewer requires WC-3512 legs (sold separately).

One Gallon Gourmet Brewing Solution with G4 Technology

Our one gallon coffee brewer allows you to brew smaller batches to help manage your coffee program more efficiently. Curtis G4 ThermoPro™ systems are factory set for out-of-the-box operation with pre-programmed recipes that ensure a consistent brew, every time. Precise, digital fine-tuning of the entire brewing process optimizes signature coffee flavor and provides consistent brewing every time.

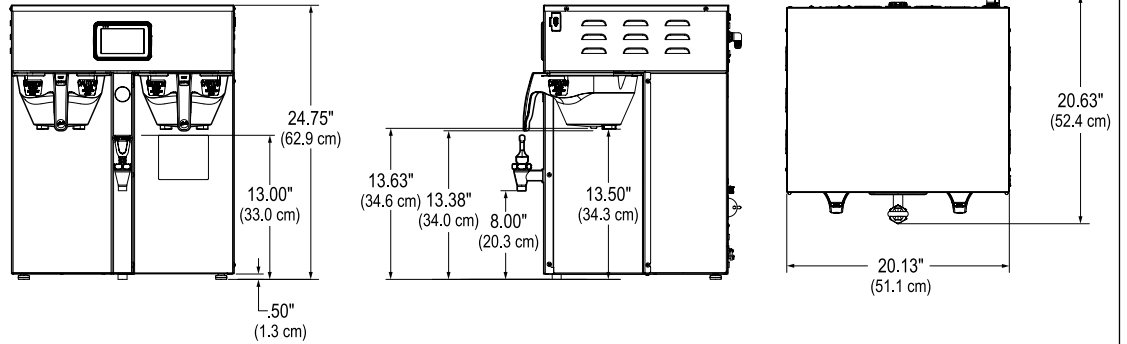
G4TP1S63A3100

(Single Coffee Brewer)



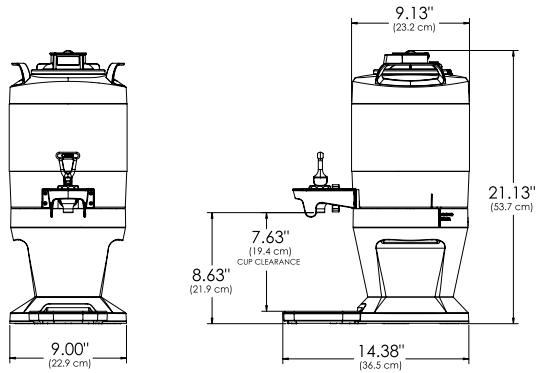
G4TP1T10A3100

(Twin Coffee Brewer)



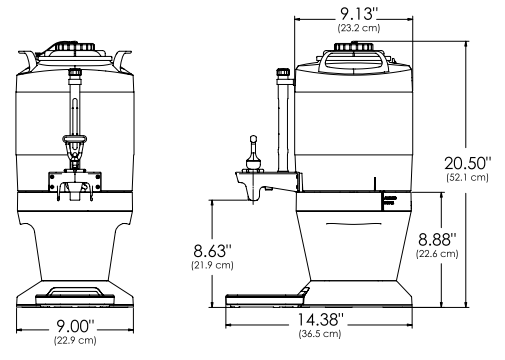
TFT1G

(1.0 Gallon
Dispenser with
FreshTrac™ Lid)



TXSG0101S600

(1.0 Gallon
Dispenser)



BREWER SPECIFICATIONS

MODEL #	DIMENSIONS (H x W x D)	PHASE	VOLTS	AMPS	WIRE	WATTS	HERTZ	GAL/HR	WATER CONNECTOR	SHIP WEIGHT	SHIP CUBE
G4TP1S63A3100	24.75" x 11.13" x 20.75"	1 PH	110/220V	13.8/12.2A	3W+G	1650/2700W	50/60 Hz	4.5/12.0	3/8" Flare	56.0 lbs.	9.6 cu. ft.
G4TP1T10A3100	24.75" x 20.13" x 20.63"	1 PH	220V	23.0/34.5A	3W+G	5100/7600W	50/60 Hz	15.0/21.0	3/8" Flare	65.5 lbs.	14.3 cu. ft.

DISPENSER SPECIFICATIONS

MODEL	DIMENSIONS (H x W x D)	SHIP WEIGHT	SHIP CUBE
TFT1G	21.13" x 9.00" x 14.38"	15.0 Lbs.	2.30 cu. ft.
TXSG0101S600	20.50" x 9.00" x 14.38"	15.0 Lbs.	2.30 cu. ft.

SPECIFICATIONS SUBJECT TO CHANGE WITHOUT NOTICE



WILBUR CURTIS CO., INC.
6913 Acco Street, Montebello, CA 90640-5403
Telephone: 800-421-6150 · 323-837-2300
Fax: 323-837-2406
www.wilburcurtis.com

