



New family of Infusion Series® equipment arriving throughout 2017



Infusion Series®

Twin Soft Heat® Brewer

A fresh new look in batch brewing with reliable BUNN technology



Black/SS model shown (servers sold separately)

Great Design

Front-of-house modernized design language

Six brew buttons and three batch sizes allows for multiple brewing profiles

Easy Pulse programming automatically adjusts contact time for optimal flavor profile

New Soft Heat® servers are ergonomic, lighter weight, energy efficient and now offer programmable recipe/batch based holding times and temperatures, alerting staff when freshness has expired or server is empty

Optional wireless server monitoring can be connected to a Smart mobile device

Brews .5, 1 or 1.5gal (1.9, 3.8 or 5.7L) batches

3M Thinsulate® and energy-saver mode provide greater energy efficiency

Compatible with BUNNlink®; BrewWISE® intelligence

Quality in the Cup

New multi-directional lime resistant sprayhead provides the ultimate in uniformity of extraction

BrewWISE® intelligence with pre-infusion batch switches for maximum flavor extraction.

DBC® grinder communicates with the brewer through the Smart Funnel® RFID technology

Better positioned fast flow hot water faucet with greater cup clearance

Designed and engineered in Springfield, Illinois; assembled in Creston, Iowa



for more information, visit bunn.com/infusion-series



Infusion Series®

Twin Soft Heat® Brewer

(22" W x 22.3" D x 32.8" H)
55.9cm W x 56.6cm D x 83.3cm H

Capacity: 280 8oz (236ml) cups/per hour

Related Products



1.5 Gal SH Server
27850.0200



1SH Stand
27825.0200



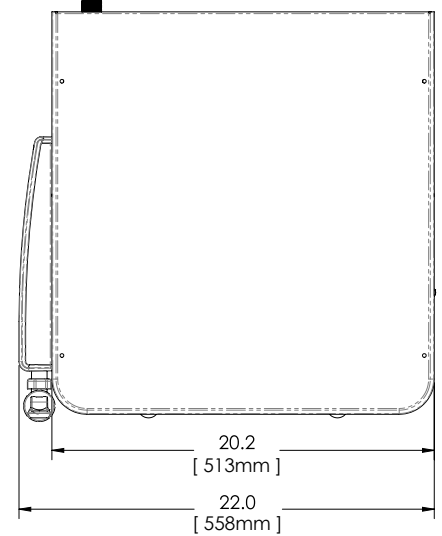
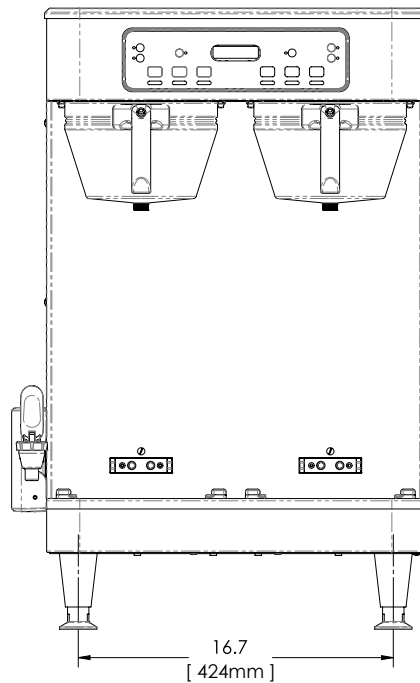
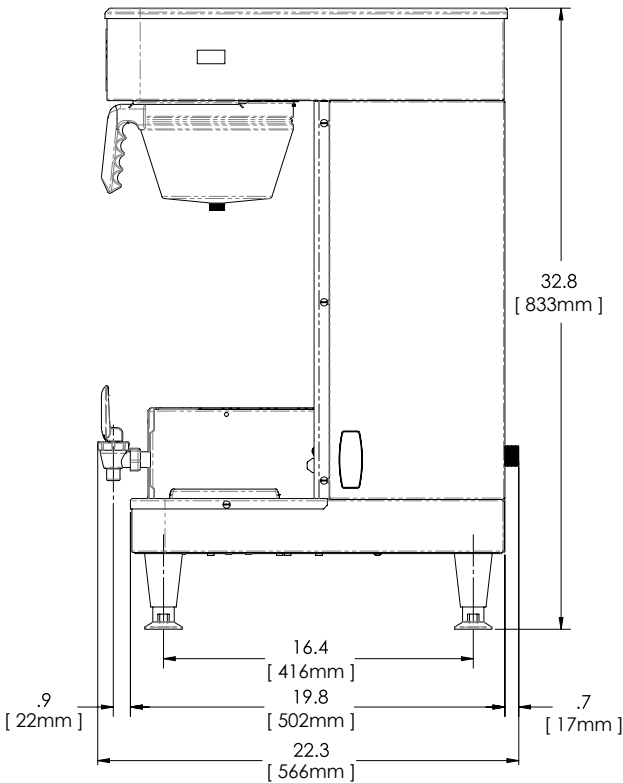
2SH Stand
27875.0200



Single Drip Tray
53452.0001



Dual Drip Tray
53452.0000



DESCRIPTION			CAPACITY	ELECTRICAL							
Product #	Model	Finish		Volts	Amps	Watts	Hertz	Input H ₂ O Temp	Phase	Cord Attached	Shipping Weight
51200.0100	Infusion Twin SH	SS	280 servings/hr	120/240	25	6000	60	60°F (15.5°C)	1	Yes	74.42lbs (33.76kgs)
51200.0101	Infusion Twin SH	Black/SS	280 servings/hr	120/240	25	6000	60	60°F (15.5°C)	1	Yes	74.42lbs (33.76kgs)
Plumbing: 20-90 PSI / 138-621 kPa. 3/8" Male Flare Fitting											
27850.0200	Infusion SH Server	SS	1.5gal (5.7L)	NA	NA	NA	NA	NA	NA	NA	16.9lbs (7.7kgs)
27825.0200	Infusion 1SH Stand	SS	1 SH Server	120	.75	90	60	NA	1	Yes	12.55lbs (5.7kgs)
27875.0200	Infusion 2SH Stand	SS	2 SH Servers	120	1.5	180	60	NA	1	Yes	20.95lbs (9.5kgs)

BUNN® reserves the right to change specifications and product design without notice. Such revisions do not entitle the buyer to corresponding changes, improvements, additions, or replacements for previously purchased equipment. For most current specifications and other info visit bunn.com.